

***Agrecol Bag Fillers: Portable, Affordable, Easy To Use***



**1-Bag Filler  
for Envirolok Bags**

- Stand is 46" high
- Envirolok bags measure 17" x 35"
- Spout opening measures 11" wide
- Fill funnel measures 18" wide
- 15" x 18" x 11"



**1-Bag Filler  
for Sandbags**

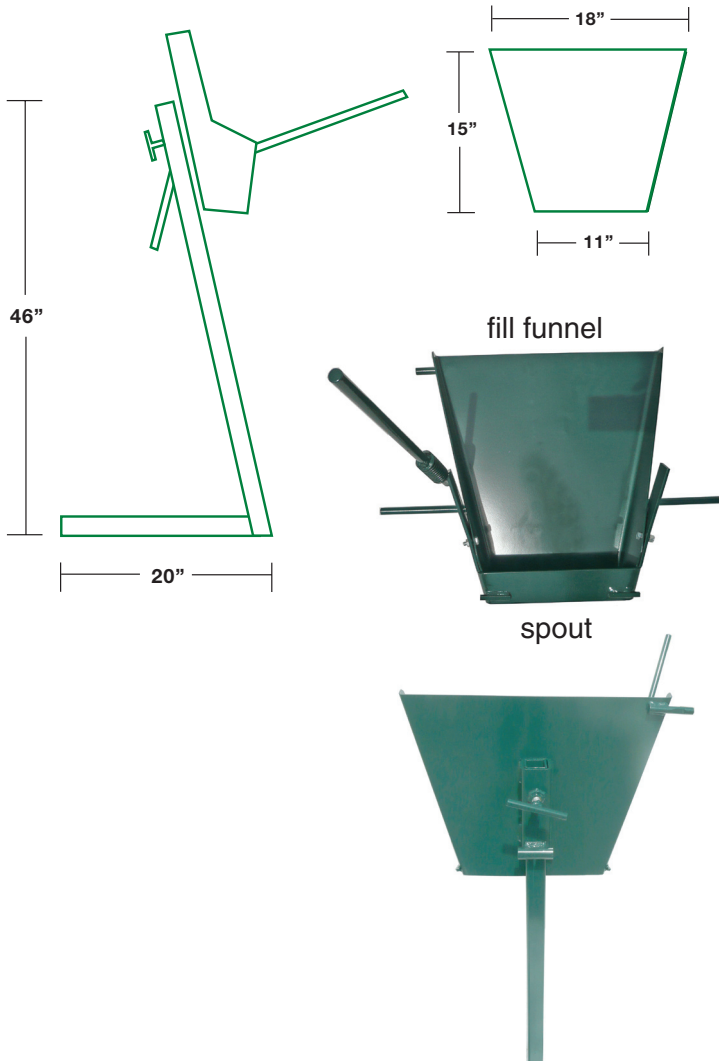
- Stand is 46" high
- For sandbags with at least a 13" opening
- Spout opening measures 8.5" wide
- Fill funnel measures 15" wide
- 15" x 15" x 8.5"

- Portable, easy to assemble
- Heavy-duty steel
- Removable, adjustable bucket attachment
- Height-adjustable
- Flexible, spring-lever bag-release handle

# Agrecol 1-Bag Fillers

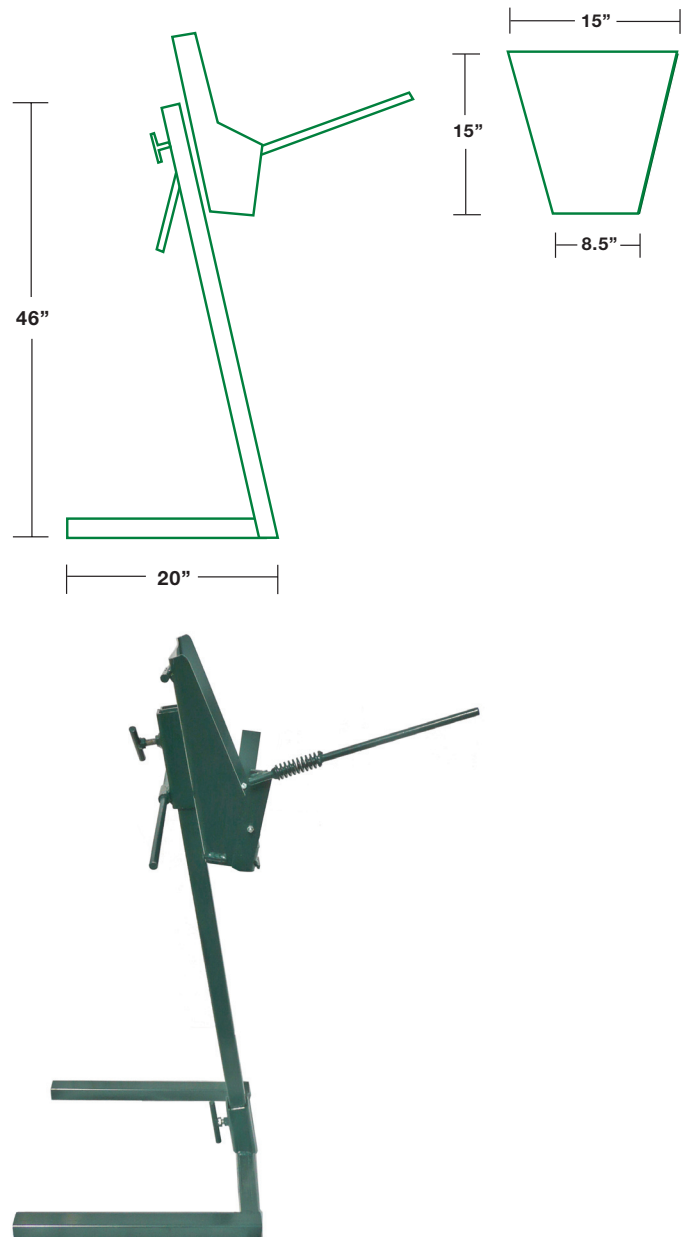
## Envirolok 1-Bag Filler

• 15" x 18" x 11"



## Agrecol Sandbag 1-Bag Filler

• 15" x 15" x 8.5"



Agrecol® LLC  
10101 N. Casey Rd  
Evansville, Wisconsin 53536  
Telephone 608.223.3571  
Fax 608.884.4640  
www.agrecol.com  
ecosolutions@agrecol.com

Contact Agrecol LLC for information to find a local dealer and pricing information.

**608.223.3571**