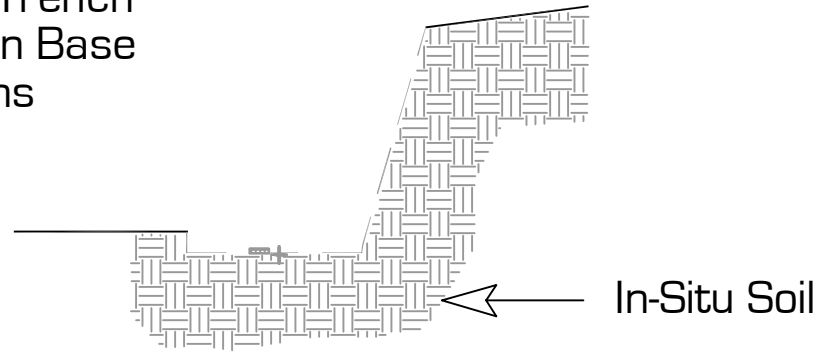


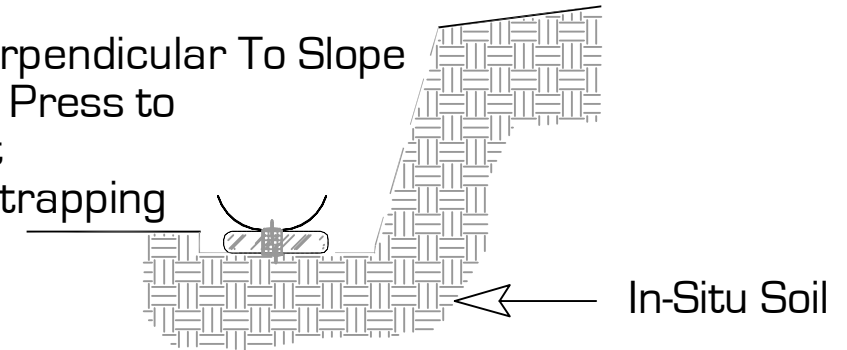
STEP ONE

Excavate a Shallow Trench
Place Cinch Strap on Base
Place Connector Pins



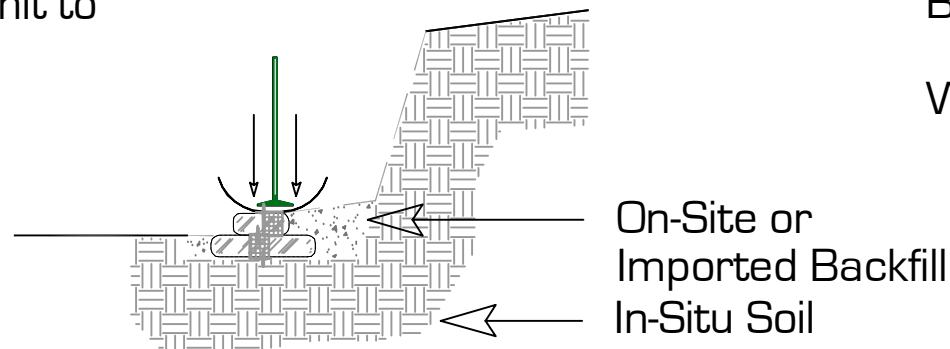
STEP TWO

Install Envirolok Unit Perpendicular To Slope
Install Connector Pins - Press to Interconnect with Unit
Wrap unit with Twine Strapping



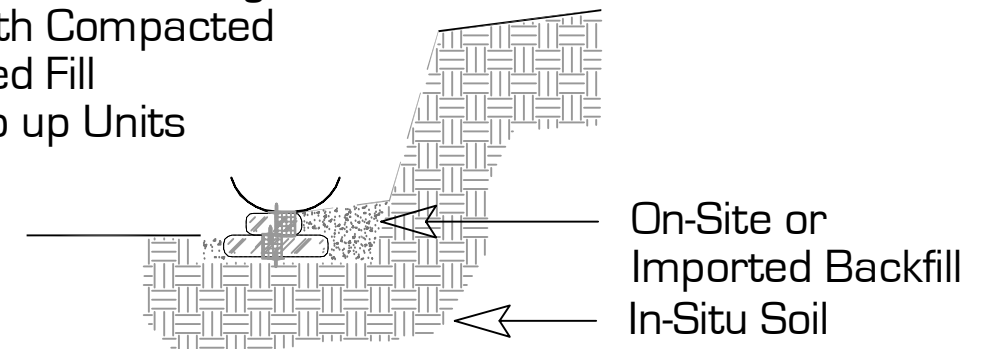
STEP THREE

Tamp Top of Envirolok Unit to Engage Connector Pin



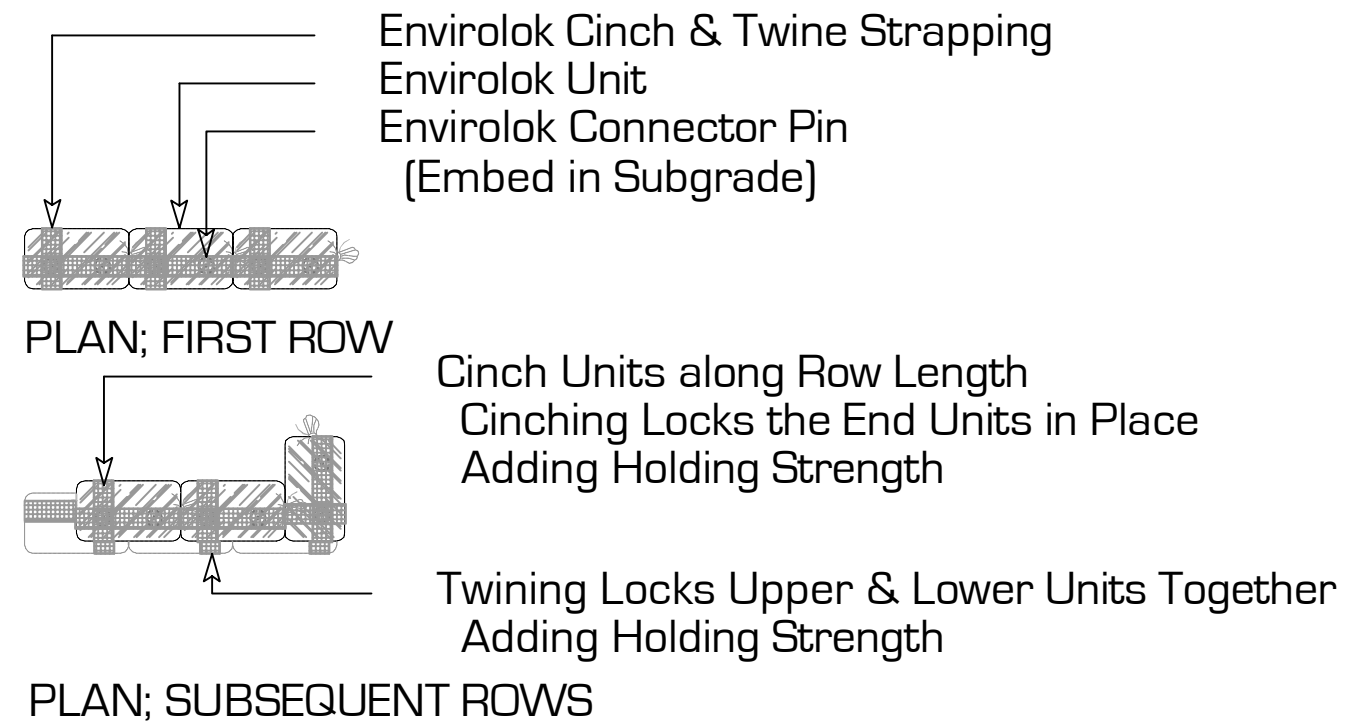
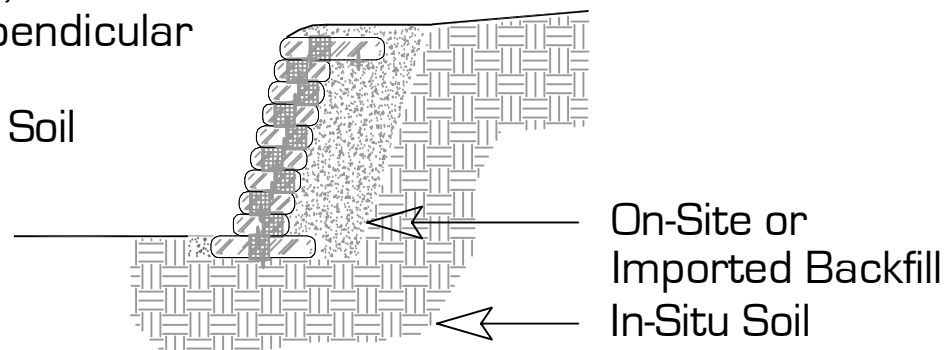
STEP FOUR

Install Envirolok Units in 'Running Bond'
Backfill each Lift with Compacted On-Site or Imported Fill
Weave Twine Strap up Units



STEP FIVE

Continue Installation
Repeating Steps 3, 4 & 5
Install Top Unit Perpendicular to Wall Face
Cover Top Unit with Soil
Vegetate Wall



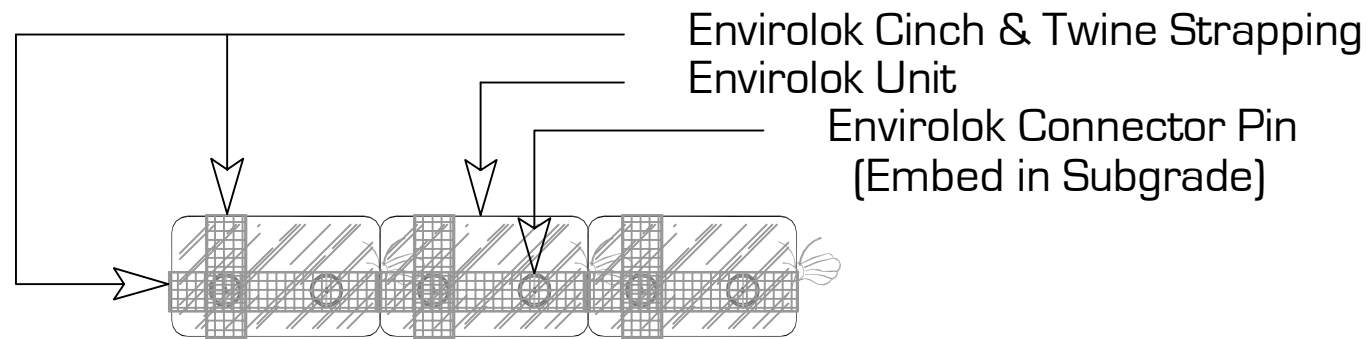
This is a typical, non-site specific design. Envirolok LLC makes these documents available on an "as is" basis. All CAD (.dwg) and PDF (.pdf) files were created as a service to our customers. Final determination of the suitability of any information or material for the use contemplated, and its manner of use, is the sole responsibility of the user. A final project specific design should be prepared by a qualified, licensed, professional engineer. THIS DRAWING IS NOT FOR CONSTRUCTION. Copyright 2013, Envirolok LLC

PROJECT ENVIROLOK INSTALLATION; CINCH & TWINE PROCEDURE	
DATE JANUARY 2013	SCALE 1/4" = 1'-0"
SHEET SHEET 32	

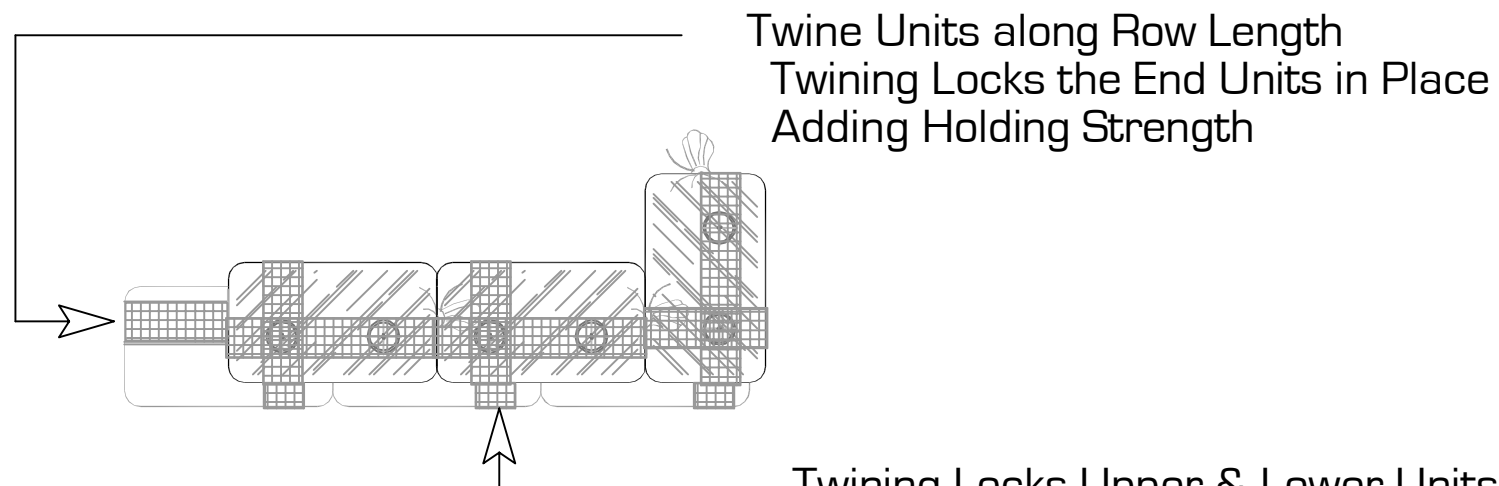
EnvirolokTM
Vegetated Environmental Solutions

10101 N. Casey Road Evansville, WI 53536
www.envirolok.com ecosolutions@envirolok.com
P. 608.223.3571 F. 608.884.4640

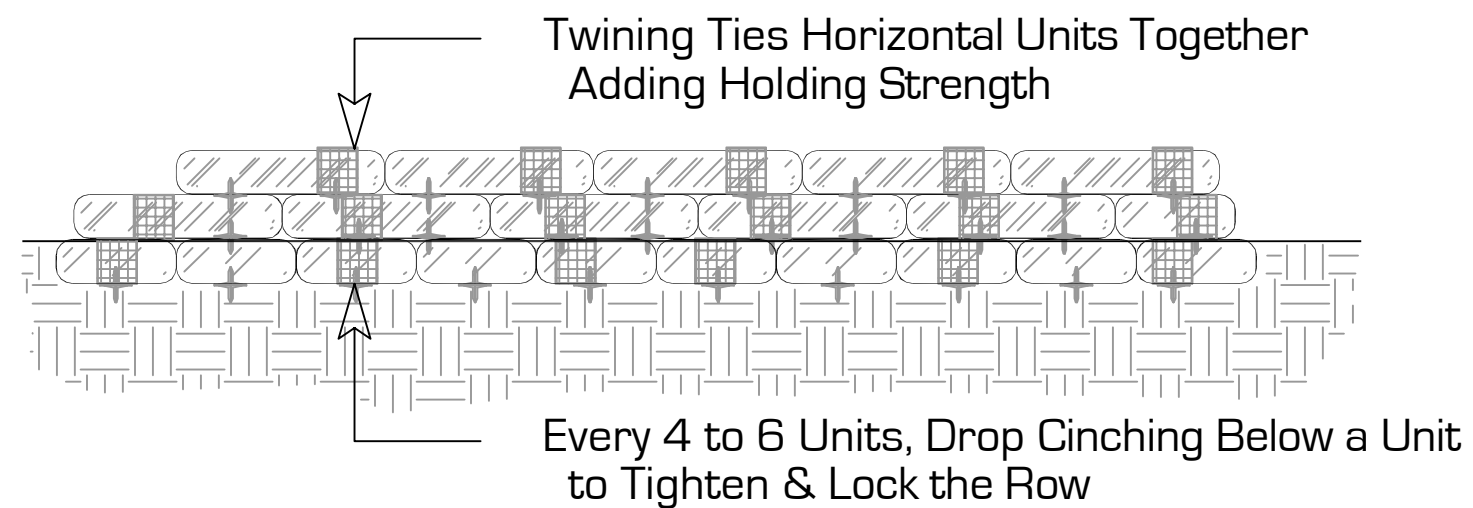
REVISIONS



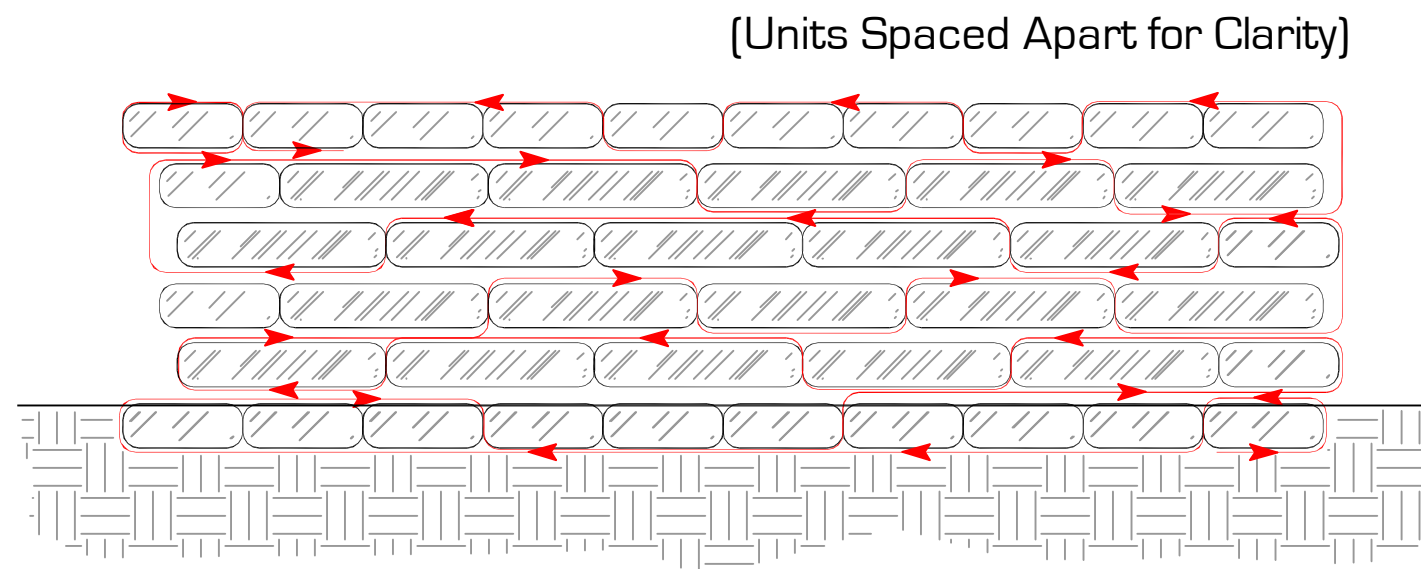
PLAN; FIRST ROW



PLAN; SUBSEQUENT ROWS



ELEVATION; CINCHING & TWINING



ELEVATION; CINCHING & TWINING

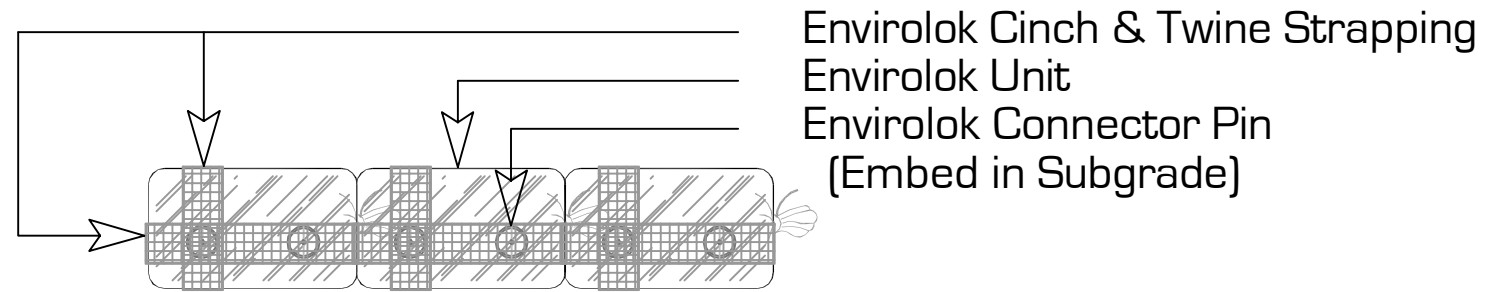
This is a typical, non-site specific design. Envirolok LLC makes these documents available on an "as is" basis. All CAD (.dwg) and PDF (.pdf) files were created as a service to our customers. Final determination of the suitability of any information or material for the use contemplated, and its manner of use, is the sole responsibility of the user. A final project specific design should be prepared by a qualified, licensed, professional engineer. THIS DRAWING IS NOT FOR CONSTRUCTION. Copyright 2013, Envirolok LLC

PROJECT ENVIROLOK INSTALLATION; CINCHING & TWINING DETAIL	
DATE JANUARY 2013	SCALE 1/2" = 1'-0"
SHEET SHEET 31A	

EnvirolokTM
Vegetated Environmental Solutions

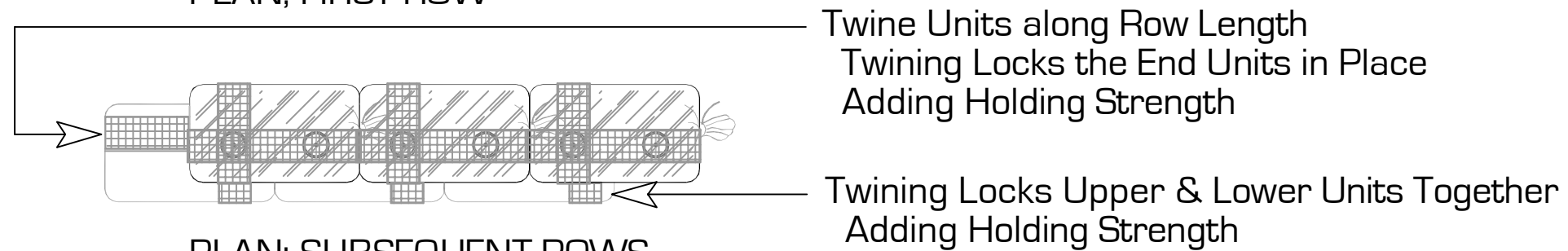
10101 N. Casey Road Evansville, WI 53536
www.envirolok.com ecosolutions@envirolok.com
P. 608.223.3571 F. 608.884.4640

REVISIONS



Envirolok Cinch & Twine Strapping
 Envirolok Unit
 Envirolok Connector Pin
 (Embed in Subgrade)

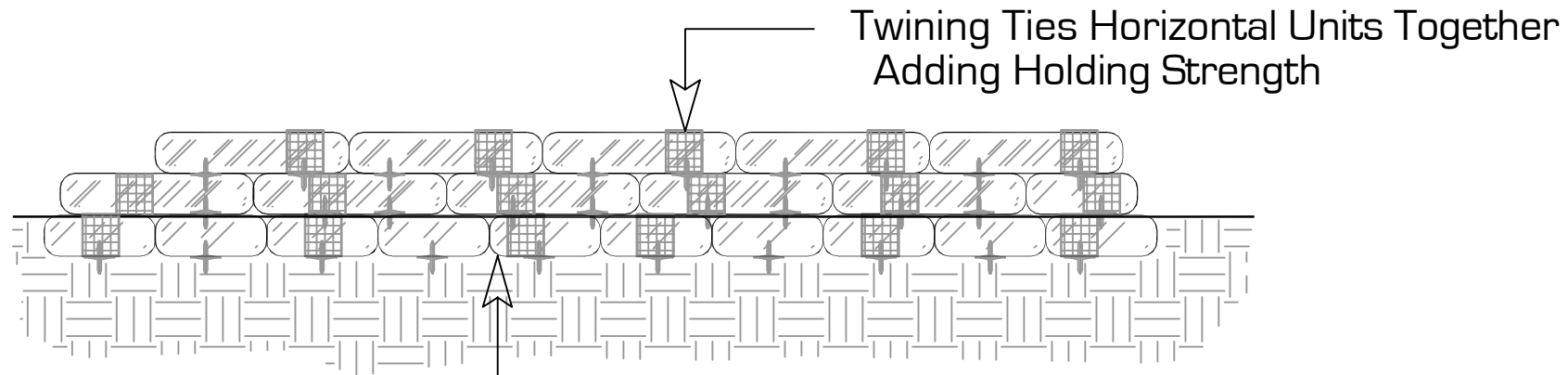
PLAN; FIRST ROW



Twine Units along Row Length
 Twining Locks the End Units in Place
 Adding Holding Strength

Twining Locks Upper & Lower Units Together
 Adding Holding Strength

PLAN; SUBSEQUENT ROWS



Twining Ties Horizontal Units Together
 Adding Holding Strength

Every 4 to 6 Units, Drop Cinching Below a Unit
 to Tighten & Lock the Row

ELEVATION

This is a typical, non-site specific design. Envirolok LLC makes these documents available on an "as is" basis. All CAD (.dwg) and PDF (.pdf) files were created as a service to our customers. Final determination of the suitability of any information or material for the use contemplated, and its manner of use, is the sole responsibility of the user. A final project specific design should be prepared by a qualified, licensed, professional engineer. THIS DRAWING IS NOT FOR CONSTRUCTION. Copyright 2013, Envirolok LLC

PROJECT ENVIROLOK INSTALLATION; CINCHING & TWINING DETAIL	
DATE JANUARY 2013	SCALE 1/2" = 1'-0"
SHEET SHEET 31B	

EnvirolokTM
 Vegetated Environmental Solutions

10101 N. Casey Road Evansville, WI 53536
 www.envirolok.com ecosolutions@envirolok.com
 P. 608.223.3571 F. 608.884.4640

REVISIONS