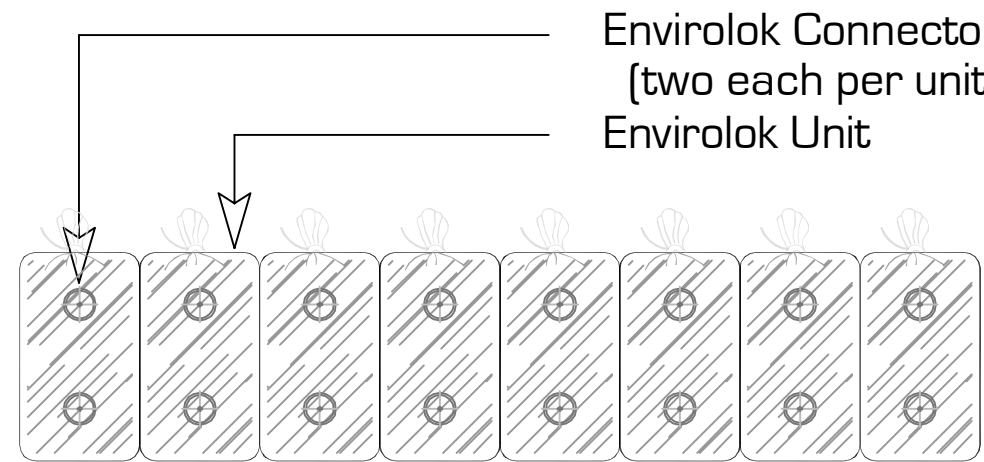
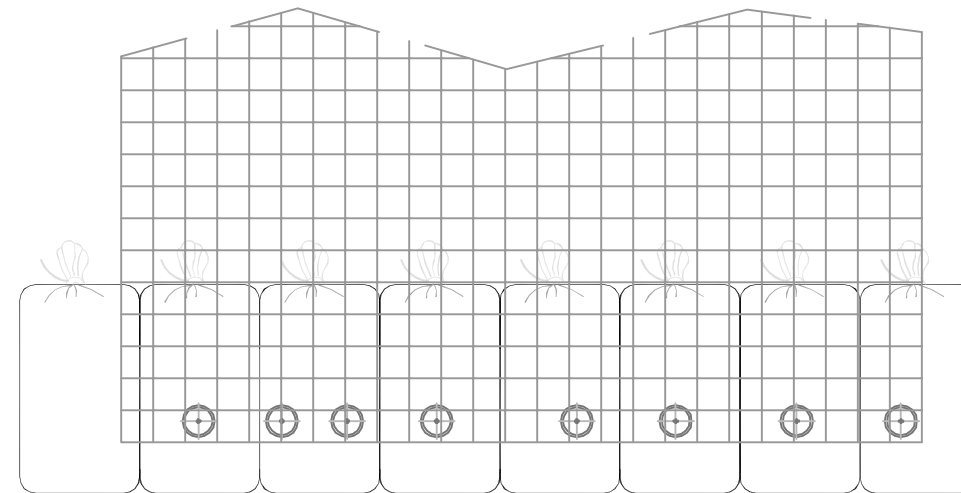


ELEVATION

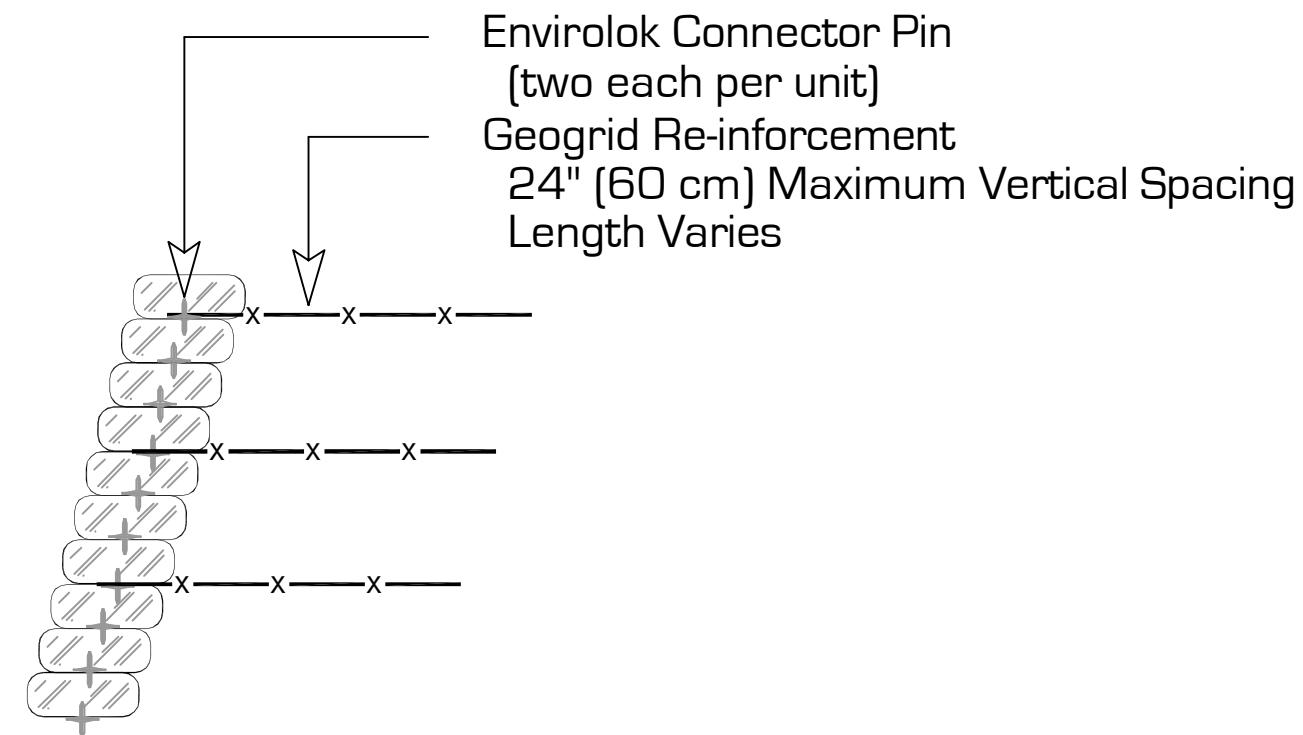


Install Base Row of Envirolok Units Perpendicular to Wall Face

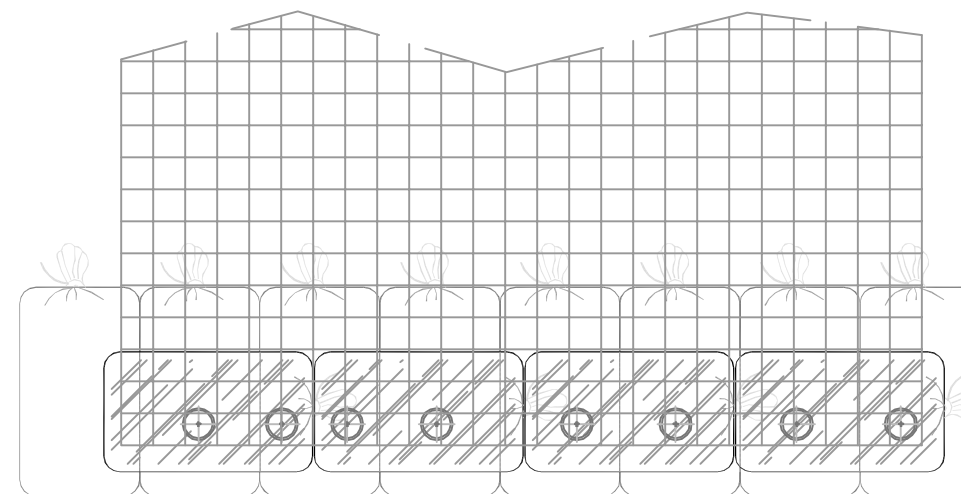


Install Geogrid over Envirolok Units

Install Envirolok Connector Over Geogrid



SECTION



Install Envirolok Units and Connector Pins Over Geogrid

PLAN

This is a typical, non-site specific design. Envirolok LLC makes these documents available on an "as is" basis. All CAD (.dwg) and PDF (.pdf) files were created as a service to our customers. Final determination of the suitability of any information or material for the use contemplated, and its manner of use, is the sole responsibility of the user. A final project specific design should be prepared by a qualified, licensed, professional engineer. THIS DRAWING IS NOT FOR CONSTRUCTION. Copyright 2013, Envirolok LLC

PROJECT
ENVIROLOK INSTALLATION; GEOGRID INSTALLATION

DATE
JANUARY 2013

SCALE
1/2" = 1'-0"

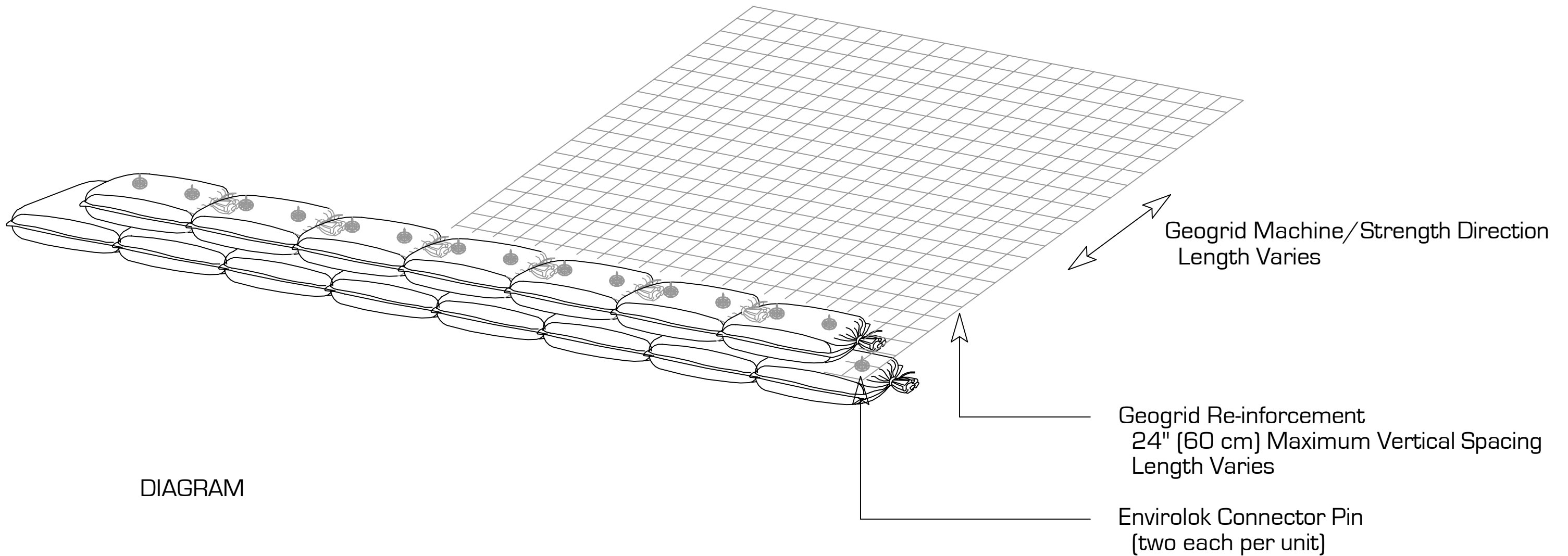
SHEET
SHEET 10

EnvirolokTM
Vegetated Environmental Solutions

10101 N. Casey Road
www.envirolok.com
P. 608.223.3571

Evansville, WI 53536
ecosolutions@envirolok.com
F. 608.884.4640

REVISIONS



NOTE

- * Follow Geogrid Manufacturer's Installation Specifications
- * Geogrid Length and Elevation Placement per Design Specification

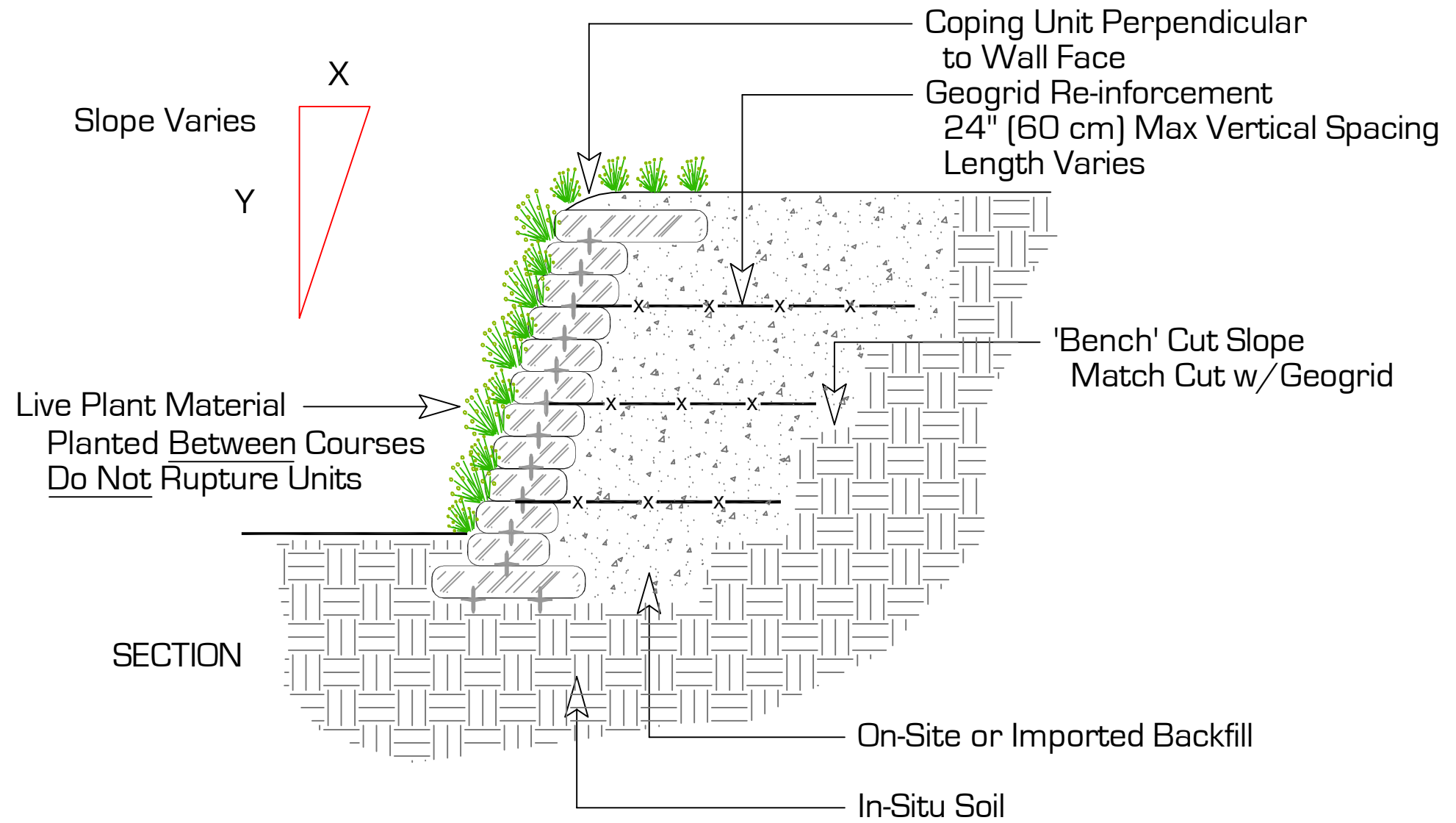
This is a typical, non-site specific design. Envirolok LLC makes these documents available on an "as is" basis. All CAD (.dwg) and PDF (.pdf) files were created as a service to our customers. Final determination of the suitability of any information or material for the use contemplated, and its manner of use, is the sole responsibility of the user. A final project specific design should be prepared by a qualified, licensed, professional engineer. THIS DRAWING IS NOT FOR CONSTRUCTION. Copyright: 2013, Envirolok LLC

PROJECT ENVIROLOK INSTALLATION; GEOGRID INSTALLATION DIAGRAM	
DATE JANUARY 2013	SCALE 1/2" = 1'-0"
SHEET SHEET 11	

EnvirolokTM
Vegetated Environmental Solutions

10101 N. Casey Road Evansville, WI 53536
www.envirolok.com ecosolutions@envirolok.com
P. 608.223.3571 F. 608.884.4640

REVISIONS



This is a typical, non-site specific design. Envirolok LLC makes these documents available on an "as is" basis. All CAD (.dwg) and PDF (.pdf) files were created as a service to our customers. Final determination of the suitability of any information or material for the use contemplated, and its manner of use, is the sole responsibility of the user. A final project specific design should be prepared by a qualified, licensed, professional engineer. THIS DRAWING IS NOT FOR CONSTRUCTION. Copyright: 2013, Envirolok LLC

PROJECT ENVIROLOK INSTALLATION; GEOGRID INSTALLATION	
DATE JANUARY 2013	SCALE 1/2" = 1'-0"
SHEET SHEET 9	

EnvirolokTM
Vegetated Environmental Solutions

10101 N. Casey Road Evansville, WI 53536
www.envirolok.com ecosolutions@envirolok.com
P. 608.223.3571 F. 608.884.4640

REVISIONS