

DIAGRAM

**NOTE**  
 \* Follow Geogrid Manufacturer's Installation Specifications  
 \* Geogrid Length and Elevation Placement per Design Specification

This is a typical, non-site specific design. Envirolok LLC makes these documents available on an "as is" basis. All CAD (.dwg) and PDF (.pdf) files were created as a service to our customers. Final determination of the suitability of any information or material for the use contemplated, and its manner of use, is the sole responsibility of the user. A final project specific design should be prepared by a qualified, licensed, professional engineer. THIS DRAWING IS NOT FOR CONSTRUCTION. Copyright 2013, Envirolok LLC

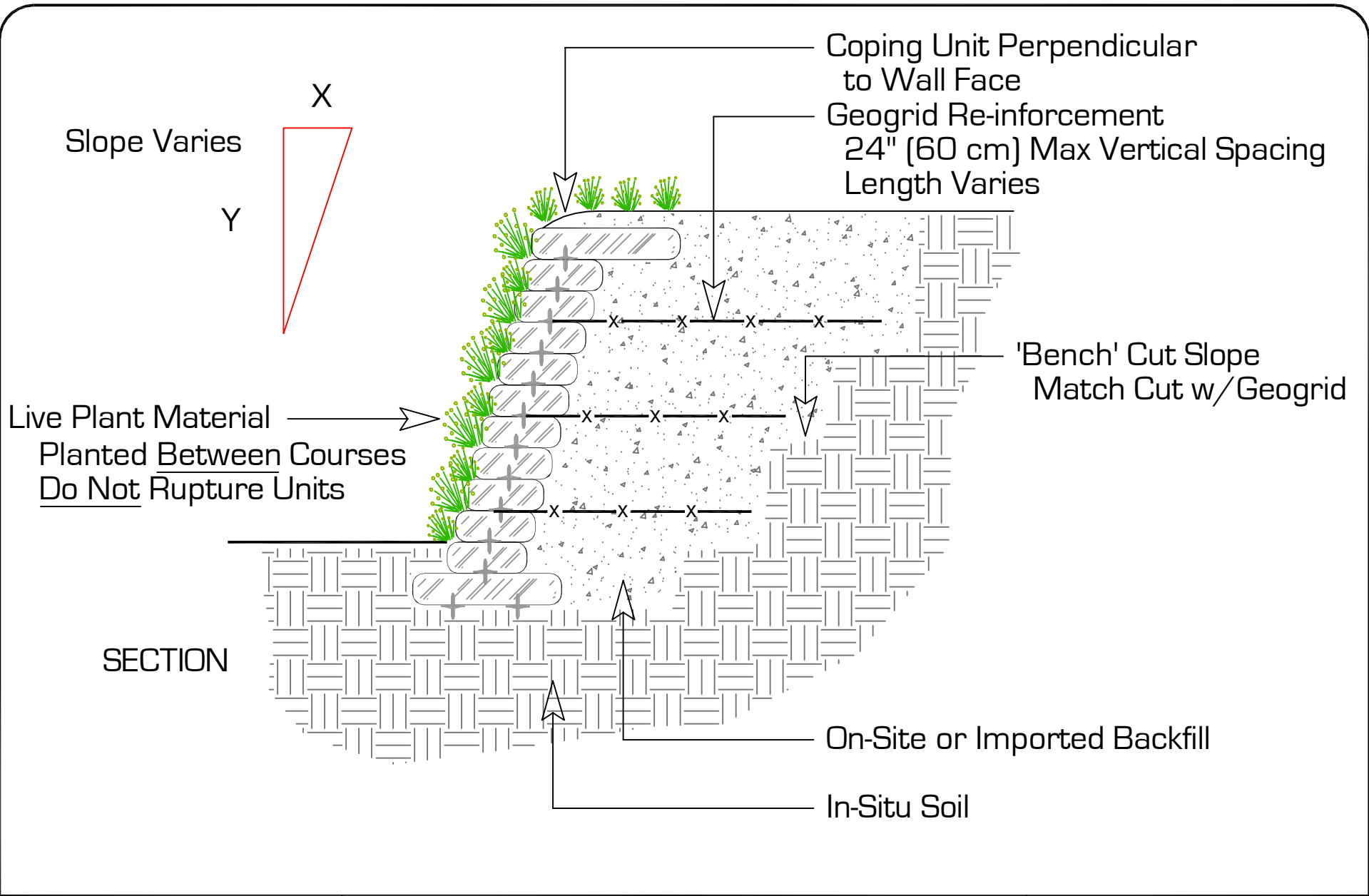
PROJECT <b>ENVIROLOK INSTALLATION GEOGRID INSTALLATION</b>	
DATE JANUARY 2013	SCALE 1/4" = 1' - 0"
SHEET SHEET 11	

**Envirolok**<sup>TM</sup>  
 Vegetated Environmental Solutions

10101 N. Casey Road  
 www.envirolok.com  
 P. 608.223.3571

Evansville, WI 53536  
 ecosolutions@envirolok.com  
 F. 608.884.4640

REVISIONS



This is a typical, non-site specific design. Envirolok LLC makes these documents available on an "as is" basis. All CAD (.dwg) and PDF (.pdf) files were created as a service to our customers. Final determination of the suitability of any information or material for the use contemplated, and its manner of use, is the sole responsibility of the user. A final project specific design should be prepared by a qualified, licensed, professional engineer. THIS DRAWING IS NOT FOR CONSTRUCTION. Copyright 2013, Envirolok LLC

PROJECT  
**ENVIROLOK INSTALLATION  
GEOGRID INSTALLATION**

DATE  
JANUARY 2013

SCALE  
1/2" = 1' - 0"

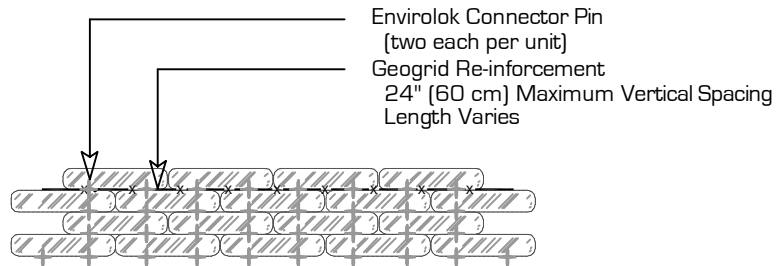
SHEET  
SHEET 9



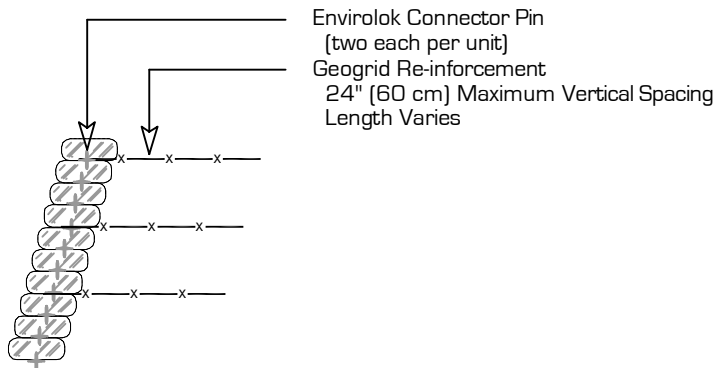
10101 N. Casey Road  
www.envirolok.com  
P. 608.223.3571

Evansville, WI 53536  
ecosolutions@envirolok.com  
F. 608.884.4640

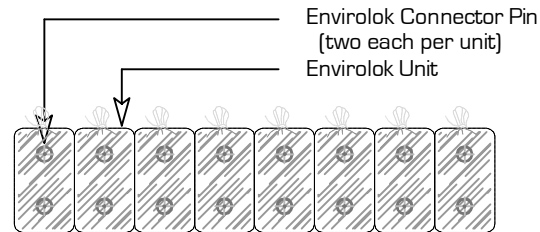
REVISIONS

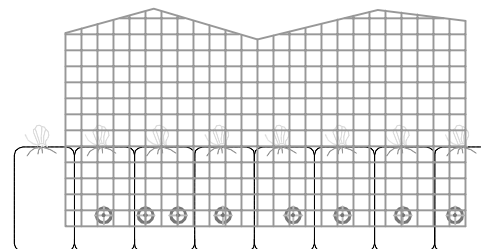
ELEVATION



SECTION

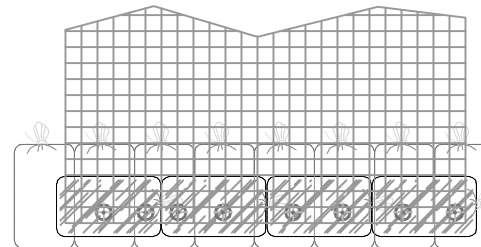


Install Base Row of Envirolok Units  
Perpendicular to Wall Face



Install Geogrid over Envirolok Units

Install Envirolok Connector Pin  
Over Geogrid



Install Envirolok Units and Connector Pin  
Over Geogrid

PLAN

This is a typical, non-site specific design. Envirolok LLC makes these documents available on an "as is" basis. All CAD (.dwg) and PDF (.pdf) files were created as a service to our customers. Final determination of the suitability of any information or material for the use contemplated, and its manner of use, is the sole responsibility of the user. A final project specific design should be prepared by a qualified, licensed, professional engineer. THIS DRAWING IS NOT FOR CONSTRUCTION. Copyright 2013, Envirolok LLC

PROJECT  
**ENVIROLOK INSTALLATION  
GEOGRID INSTALLATION**

DATE  
JANUARY 2013

SCALE  
1/4" = 1' - 0"

SHEET  
SHEET 10



10101 N. Casey Road  
www.envirolok.com  
P. 608.223.3571

Evansville, WI 53536  
ecosolutions@envirolok.com  
F. 608.884.4640

REVISIONS