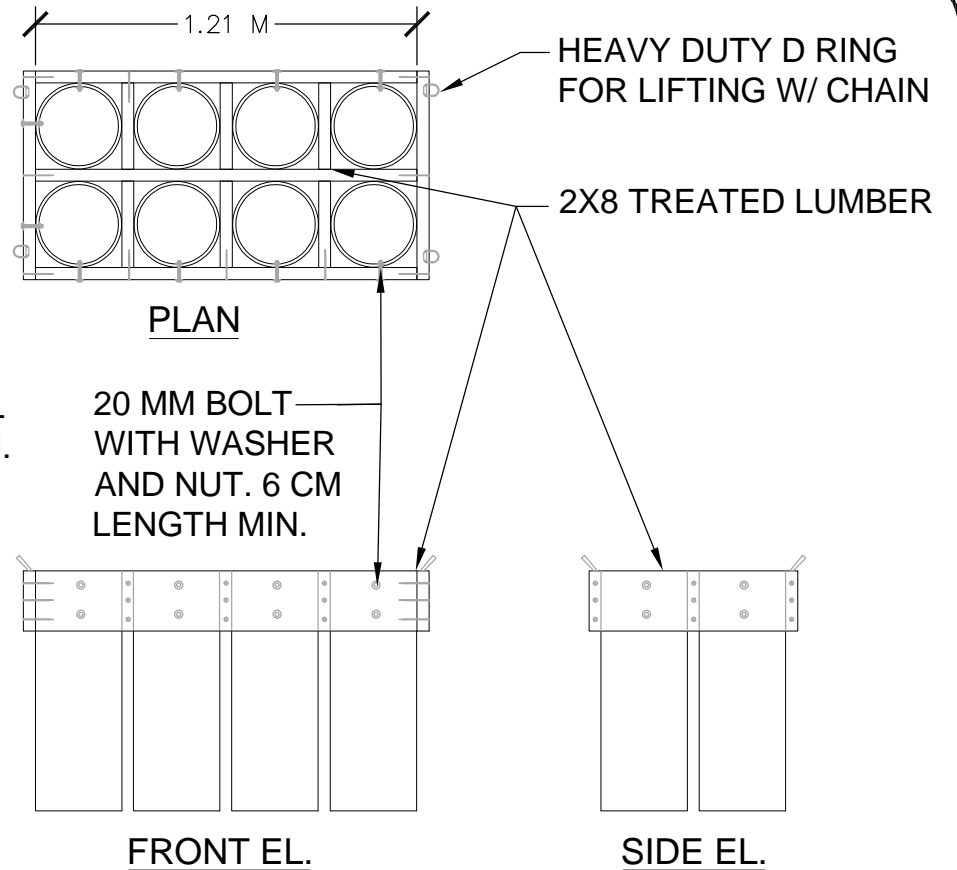


JIG FOR 2' WIDE LOADER

10" DIA. SEWER PIPE
77 CM LENGTH



JIG FOR 4' WIDE LOADER

**** NOTE: LUMBER DIMENSIONS ARE BASED ON STANDARD OUTSIDE DIAMETER FOR SCH. 40 PIPING. ACTUAL DIMENSIONS MAY VARY. VERIFY OUTSIDE PIPE DIAMETER PRIOR TO CUSTTING LUMBER. DIMENSIONS CAN BE MODIFIED TO ACCOMODATE MORE OR LESS PIPES FOR FILLING.**

This is a typical, non-site specific design. Envirolok LLC makes these documents available on an "as is" basis. All CAD (.dwg) and PDF (.pdf) files were created as a service to our customers. Final determination of the suitability of any information or material for the use contemplated, and its manner of use, is the sole responsibility of the user. A final project specific design should be prepared by a qualified, licensed, professional engineer. THIS DRAWING IS NOT FOR CONSTRUCTION. Copyright 2020, Envirolok LLC

TITLE
**BAG FILLING JIG
10" DIA PIPES**

DATE
JUNE 2020

SCALE
1/2" = 1' - 0"

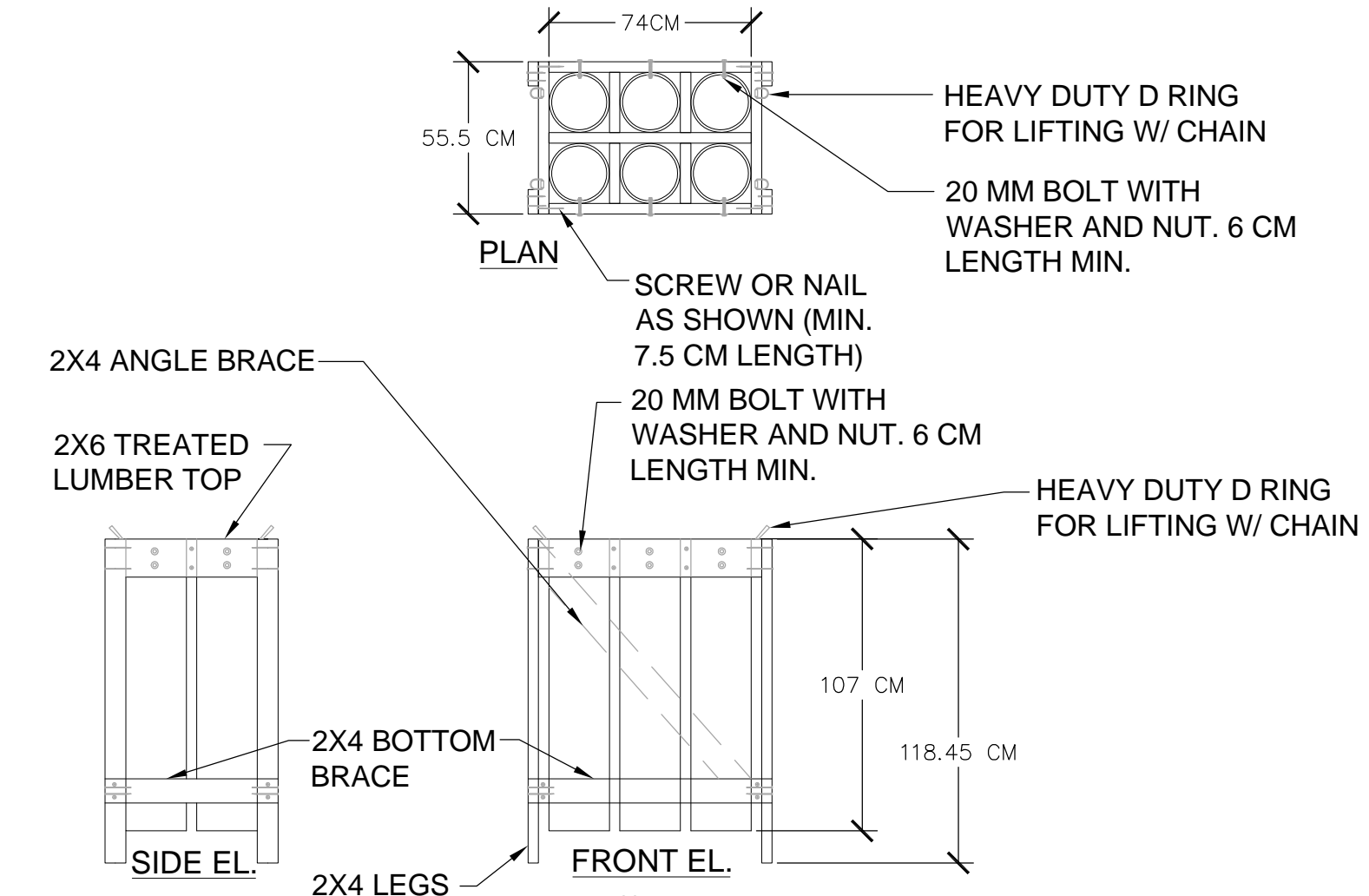
SHEET
SHEET FW1-20

Envirolok™
DESIGNED FOR NATURE...ENGINEERED FOR LIFE.

10101 N. Casey Road
Evansville, WI 53536
(P) 608.226.2565

www.envirolok.com
ecosolutions@envirolok.com
(F) 608.884.4640

REVISIONS



JIG FOR 2' WIDE LOADER

**** NOTE: LUMBER DIMENSIONS ARE BASED ON STANDARD OUTSIDE DIAMETER FOR SCH. 40 PIPING. ACTUAL DIMENSIONS MAY VARY. VERIFY OUTSIDE PIPE DIAMETER PRIOR TO CUSTTING LUMBER.**

This is a typical, non-site specific design. Envirolok LLC makes these documents available on an "as is" basis. All CAD (.dwg) and PDF (.pdf) files were created as a service to our customers. Final determination of the suitability of any information or material for the use contemplated, and its manner of use, is the sole responsibility of the user. A final project specific design should be prepared by a qualified, licensed, professional engineer. THIS DRAWING IS NOT FOR CONSTRUCTION. Copyright 2020, Envirolok LLC

TITLE
**BAG FILLING JIG
8" DIA PIPES**

DATE
JUNE 2020

SCALE
1/2" = 1' - 0"

SHEET
SHEET FW1-20

EnvirolokTM
DESIGNED FOR NATURE...ENGINEERED FOR LIFE.

10101 N. Casey Road
Evansville, WI 53536
(P) 608.226.2565

www.envirolok.com
ecosolutions@envirolok.com
(F) 608.884.4640

REVISIONS